

The Soapstone Family

Heritage

Wood Stove Model 8024

Our cleanest burning stove, EPA certified at only 0.54 g/hr.



Efficiency

77%

HHV



HeatLife™

25

Hours



EPA Certified

0.54

g/hr



Features

TruHybrid™ Clean

At only 0.54 g/hr of particulate emissions, the Heritage is our cleanest burning stove thanks to the TruHybrid system.

Convenient Features

Load your fireplace through the side door and use the optional ash pan to help keep your hearth clean and tidy.

Soapstone + Cast Iron

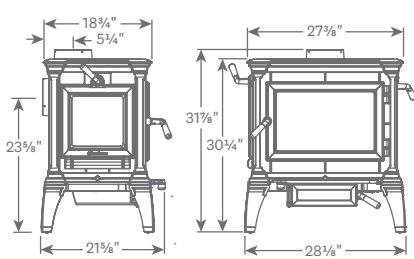
Full cast iron construction with 1¼” soapstone lining offers comfortable, long-lasting heat and a lifetime of trouble free service.

Soapstone Wood Stove

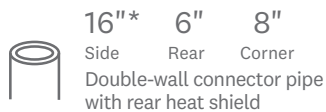
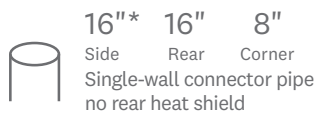
Heritage 8024



Dimensions



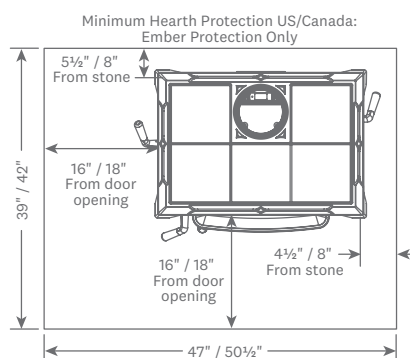
Clearances



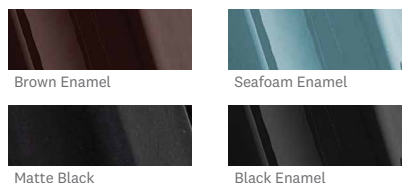
*Side without side door.

Note: All information is for reference only. Refer to the owner's manual for full specification and installation details.

Hearth Protection



Finish Options



Specifications

HHV Efficiency	77%
HeatLife™*	25 hours
EPA Certified	0.54 g/hr
Heats up to.....	2,000 sq ft
Firebox Capacity.....	2.2 cu ft
BTU.....	Up to 60,000
Maximum Log Length	21"
Flue Exit & Diameter.....	Top or Rear* - 6"
Side Load Door.....	Left or Right
Ash Pan	Optional
Weight	535 lbs

Accessories

Ash Pan	90-54240
Rear Heat Shield	90-68210
Convection Blower	90-57210
Outside Air Adapter	90-53220
Side Door Lock Kit	90-70210

* Refer to the owner's manual for rear exit requirements.
* Under the right conditions, you will be able to start a new fire with kindling up to the end of the product's HeatLife™.